

200W

LED Triac 0/1-10V dimmable Power Supply

1 of 3

Features :

- Design for indoor installations
- Protections: Short circuit / Overload/Over temperature
- Cooling by free air convection
- 100% full load burn-in test
- Optional dimming method: TRIAC or 0/1-10V dimmable
- Meet the standard of world lighting safety
- Suitable for LED lighting
- Products through CE, RoHS Certification

CE RoHS IP20

SPECIFICATION

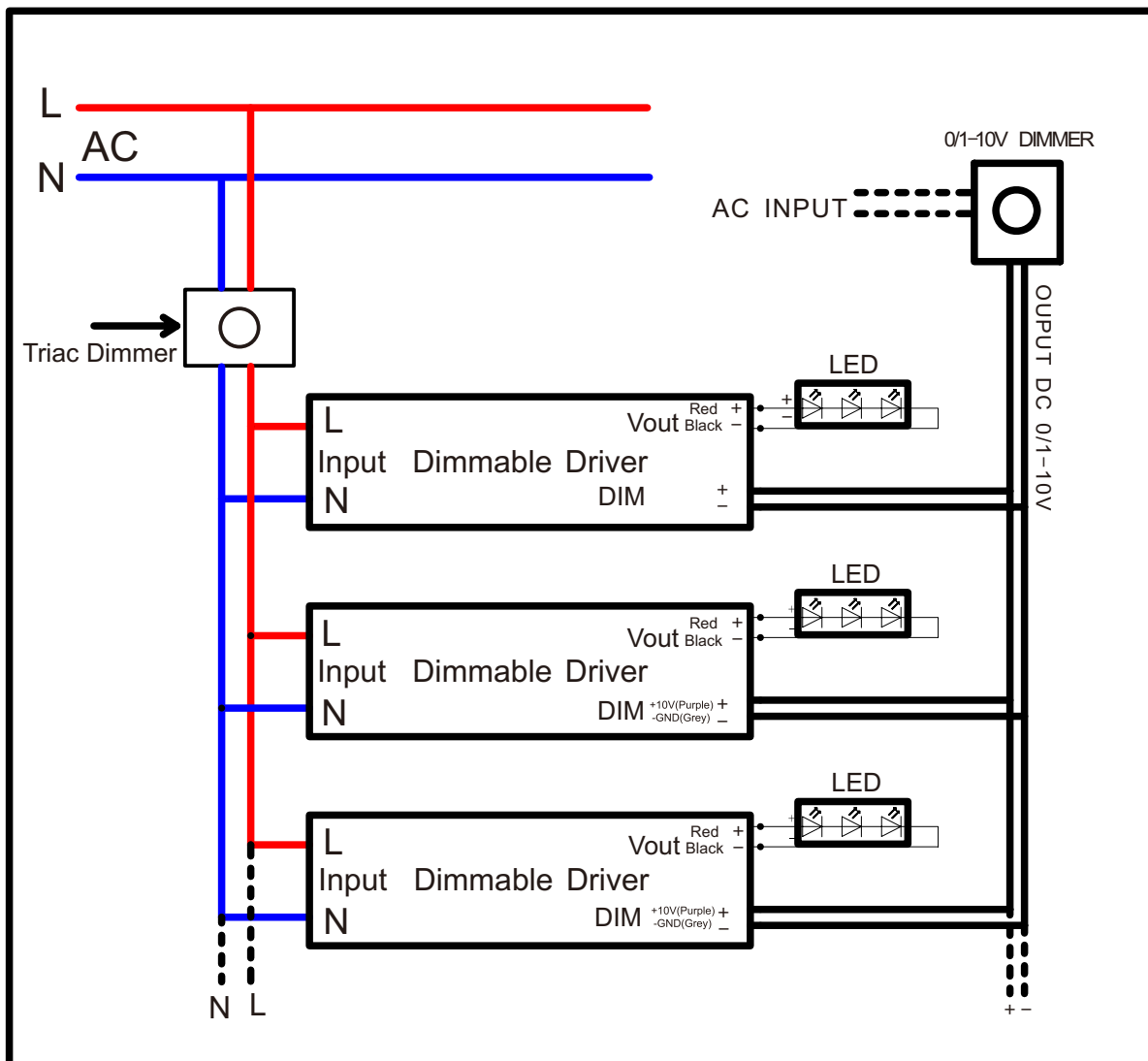
| MODEL | | 12V200W-D | 24V200W-D | | | |
|--------------|---|---|-----------|--|--|--|
| OUTPUT | DC VOLTAGE | 12V | 24V | | | |
| | RATED CURRENT | 16.7A | 8.3A | | | |
| | CURRENT RANGE | 0~16.7A | 0~8.3A | | | |
| | RATED POWER | 200W | 200W | | | |
| | RIPPLE & NOISE (max.) ^{NOTE 2} | 200mV | 250mV | | | |
| | VOLTAGE TOLERANCE ^{NOTE 3} | ±2% | ±1% | | | |
| | LINEAR REGULATION | ±1% | ±1% | | | |
| | LOAD REGULATION | ±2% | ±2% | | | |
| INPUT | VOLTAGE RANGE | 170~250VAC OR 100~130VAC | | | | |
| | FREQUENCY RANGE | 50 ~ 60Hz | | | | |
| | POWER FACTOR (Typ.) | PF>0.6/220VAC | | | | |
| | EFFICIENCY (Typ.) | >84% | >86% | | | |
| | AC CURRENT (Typ.) | 1.8A/220VAC | | | | |
| | INRUSH CURRENT (Typ.) | COLD START 120A/220VAC | | | | |
| PROTECTION | Short circuit | Protection type : recovers automatically after fault condition is removed | | | | |
| | Overload | overload protected @ 115-140% above peak rating | | | | |
| | Over temperature | Protection type : Shut down o/p voltage, re-power on to recover | | | | |
| ENVIRONMENT | WORKING TEMP. | -30 ~ +50°C (Refer to output load derating curve) | | | | |
| | WORKING HUMIDITY | 20 ~ 99% RH non-condensing | | | | |
| | STORAGE TEMP., HUMIDITY | -40 ~ +80°C , 10 ~ 99% RH | | | | |
| SAFETY & EMC | SAFETY STANDARDS | CE Mark (LVD) | | | | |
| | WITHSTAND VOLTAGE | I/P-O/P:1.5KVAC I/P-GND:1.5KVAC | | | | |
| | EMC Test Standards | EN55015 : 2013;EN61547 : 2009; EN61000-3-2:2014; EN61000-3-3:2013 | | | | |
| NOTE | 1. All parameters NOT specially mentioned are measured at 220VAC input, rated load and 25°C of ambient temperature. 2. Ripple & noise are measured at 20MHz of bandwidth by using a 12" twisted pair-wire terminated with a 0.1uf & 10uf parallel capacitor. 3. Tolerance : includes set up tolerance, line regulation and load regulation. | | | | | |

Dimming instructions and connection diagram

1).Adjustable photoelectron driver; one dimmer can drive multiple power supplies ; and the numbers are decided by the dimmer maximum load capacity. the positive and negative of dimmer should be connected to positive and negative of the power supply's dimming. terminals ,Regulating the dimmer will produce a kind of 0-10V signal to power supply,then changing the luminous flux of the lamp.

2).regulations Dimming operation Tandem triac dimmer before input terminals AC, then adjust the output constant current value

Notice:the output of the 0/1-10V adjustable photoelectron driver that dimming interface of the power supply connected should be a stable 0-10V DC voltage.

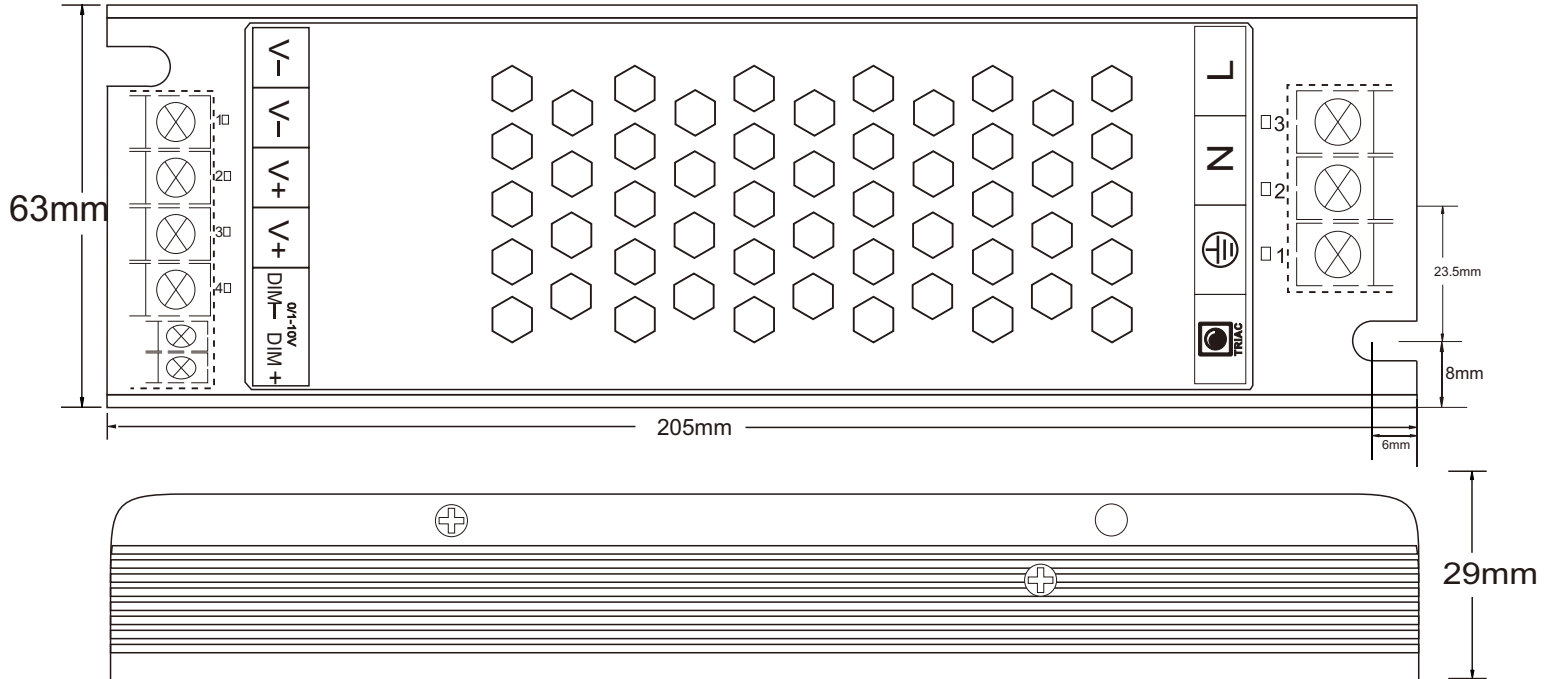


200W

LED Triac 0/1-10V dimmable Power Supply

3 of 3

Mechanical Specification



Others

| | |
|-----------------|-----------------------|
| DIMENSION | 205x63x29mm(LxWxH) |
| CARTON QUANTITY | 35PCS |
| CARTON SIZE | 45x26.8x20.5mm(LxWxH) |
| WEIGHT | 377g/PCS |

Derating Curve

